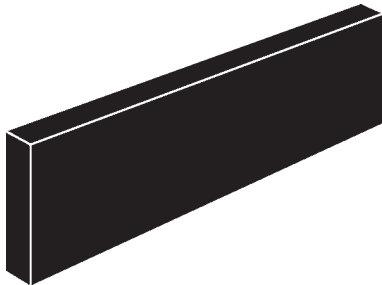


Technical Product Bulletin

Polyurethane Belt Skirting

Belt Skirting designed to provide solutions for sealing belts in environments from wet clay to frozen coal.

- Available in 90° straight edge as well as 20°, 35° & 45° beveled edges
- 60% less coefficient of friction than rubber
- Reduces drag on motor horse power used
- Field tested with 8 - 10 times the wear life over quality rubber skirting
- Longer life skirting translates into lower maintenance and labor savings
- No more scraps, skirting is sold by the inch so you only order what you need
- Nonporous, will not collect fines or other materials that can damage your belt
- Can also be used as a belt wiper for "customer designed" belt cleaning systems

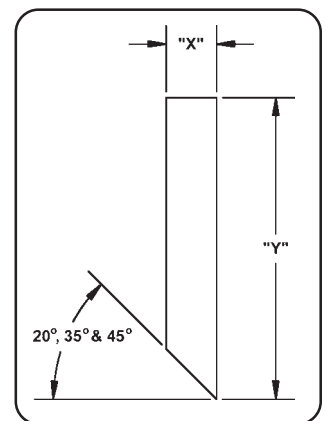


KS01 - The standard in Belt Skirting

The KS01 is the most resilient belt skirting your money can buy today. Utilizing our exclusive polyurethane, the KS01 will out last rubber and UHMW polyethylene while protecting your belt's surface. Properly installed, our KS01 Skirting will keep your material where it belongs, on the belt. Combine the KS01 with our Snap-Loc Dust Seal and Load Zone systems, and your dusty days are over.

KS01 Skirting is available in 4", 5", 6", 8", 9", 10" & 12" widths (see "Y" in diagram), with thicknesses ranging from 3/8" to 2" (see "X" in diagram) and lengths up to 50'. You can also order KS01 Skirting with beveled edges at angles of 20°, 35° and 45° or 90° straight edges. The beveled edges provide an even greater seal of confinement of materials to the belt.

Our KS01 Skirting has been designed with 60% less coefficient of friction than rubber to your belt's surface. Less friction means less heat, less heat translates into less wear and more life from your belt. We guarantee our KS01 Skirting will out last any other skirting on the market today. Put us to the test and you'll see the results.



Sizes are available from 3/8" to 2" thick and lengths up to 50'

Skirting engineered to service your every need!